




Desigo™ TRA

## Freely configurable flush-mounted room operator unit for PL-Link

**QMX3.P36F**  
**QMX3.P36G**

For use in with PXC3... series room automation stations

- Freely configurable user interface (keys and visual items) as part of Total Room Automation
- Energy efficiency function ("Green Leaf )
- Room temperature measurement
- Display of room temperature, control mode, scenes etc. (LCD)
- Backlit display, white or blue selection
- PL-Link interface to the room automation station with plug & play functionality
- Can be combined with different standard and design bezels

## Use

The QMX3.P36... room operator unit is used as part of Desigo room automation to measure the room temperature as well as to operate the room functions. The room automation station determines the functions of both LCD display and keys.

The room operator unit can be used together with the PXC3... series room automation stations.

## Type summary, ordering

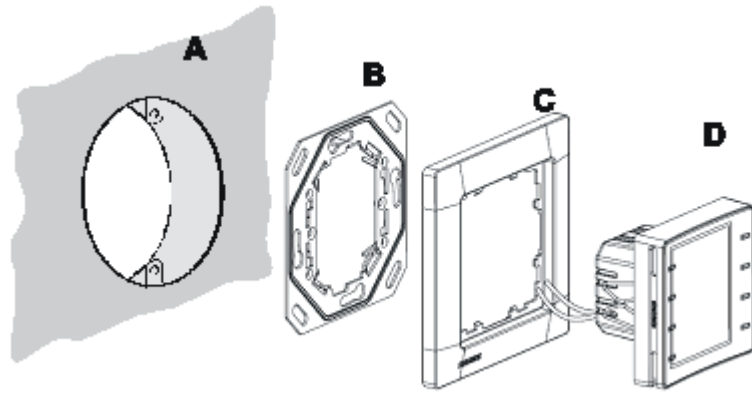
	Product number	Stock number	Designation
Room operator units	QMX3.P36F	S55624-H100	Freely configurable flush-mounted room operator unit for PL-Link with <b>square</b> white bezel CEE/VDE (type A)
	QMX3.P36G	S55624-H101	Freely configurable flush-mounted room operator unit for PL-Link with <b>landscape</b> white bezel (3 modules landscape )

The following items are supplied in the package:

Item	QMX3.P36F	QMX3.P36G	
Operator unit	X	X	
Bezel, titanium white	Siemens DELTA-line	Similar to Delta azio 120 x 80 mm	
Base plate	CEE/VDE (type A)	3 modules landscape	} In plastic bag for handover to electrical installer
PL-Link plug	X	X	

## Compatibility

- The QMX3.P36... room operator unit can be used with all PXC3 series room automation stations.
- Supported bezel programs  
**Siemens DELTA:** DELTA line, DELTA miro and DELTA vita.  
(For the DELTA style and DELTA profil series an adapter frame for 55mm x 55mm inserts is required)  
**Berker:**(B.1, B.7  
**Gira:** Standard 55, E2, Event, Esprit  
**Jung:** A500, AS500, stainless steel; LS990, aluminum  
**Merten:** System M  
**Feller:** EDIZIOdue, PRESTIGE  
(Adapter frame for 55mm x 55mm devices is required)
- Bezels from various other manufacturers can also be used (*suitability must be clarified in advance*).



- The unit is designed for mounting in a **conduit box (A)**
  - **Square** CEE/VDE (type A)
  - **Rectangular** 3 modules landscape (suitability to be clarified in advance).
- The **base plate (B)** (rectangular or landscape) contains:
  - A hook to attach a securing strap to protect against tampering (the strap is not provided)
  - an earthing plate (quick slide connector) to connect an earthing cable
- One **Bezel (C)** is supplied:
  - Siemens DELTA line (**square**, with the QMX3.P36F)
  - Siemens similar to DELTA azio 120 x 180 (**rectangular**, with the QMX3.P36G)Bezels from various other manufacturers can also be used (suitability to be clarified in advance).
- The **operator unit (D)** incorporates the room temperature sensor element, keys, LCD panel, PL-Link plug, and spring clamps to hold the operator unit in the base plate.

## Disposal

---



The devices are considered electronic devices for disposal in terms of the European Directive 2002/96/EC (WEEE) and may not be disposed of as domestic waste.

Dispose of the devices via the proper channels.

Observe all local and applicable laws.

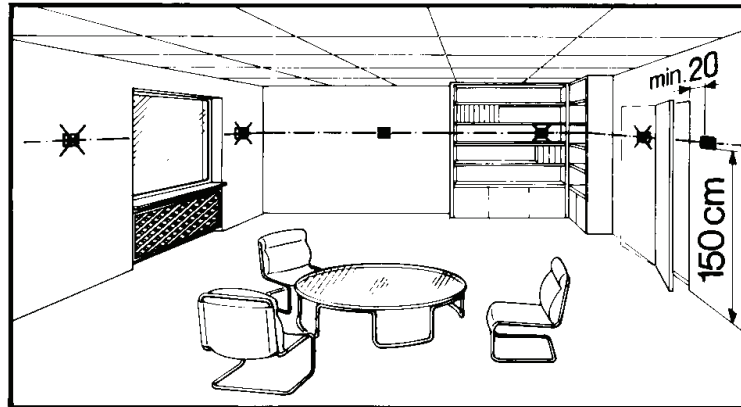
- The room operator units offer plug & play functionality.
- The room operator units receive their power from the connected room automation station via the PL-Link interface.
- PL-Link supports plug % play functionality for pre-configured devices out of the library
- For PL-Link wiring (topology, allowed cables and cable length), see the Desigo installation guide, CM111043.
- Normally, electrical installers only install the base plate and the PL-Link plug. These two items are packed in a plastic bag for easy handover to installers.
- Use the tear-off label with the barcode on the packaging / on the display and stick it on the floor plan to prepare commissioning for several room operator units per room automation station.

The same barcode label with unique identifier is available on the device. Furthermore, the unique identifier (HEX number) is displayed on screen when starting the device.

## Mounting and installation

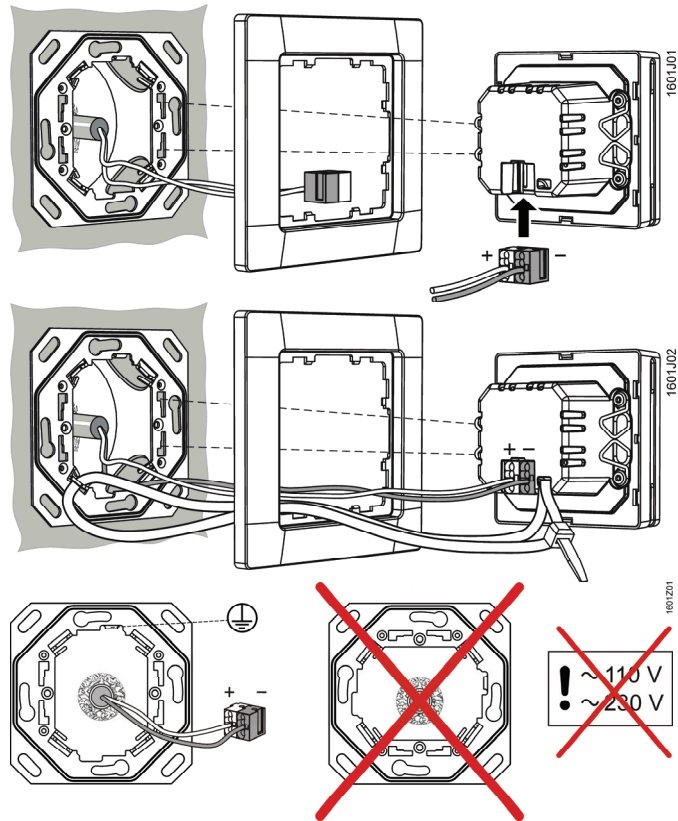
---

### Location



- The room operator unit is suitable for flush mounting.
- Recommended height: 1.50 m above floor.
- Do not mount the unit in recesses, shelves, behind curtains or doors, or above or near heat sources.
- Avoid direct solar radiation and drafts.
- Seal the conduit box internally, as air currents in the conduit can affect sensor readings.
- Adhere to allowed ambient conditions.

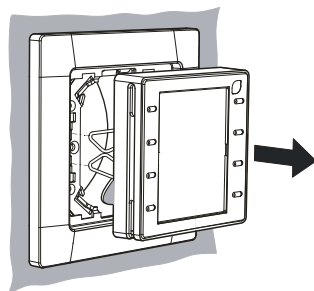
## Mounting



- The base plate contains:
  - A hook to attach a securing strap to protect against tampering (the strap is not provided)
  - An earthing plate (quick slide connector) to connect an earthing cable
- The installing tube must be sealed or cold or warm air may enter the conduit box and cause faulty temperature readings by the internal sensor.
- Mounting instructions are printed inside the device package and are also on the plastic bag.

## Dismounting

The operator unit may need to be dismantled from the base plate to exchange the operator unit.



1. Hold bezel with one hand.
2. Pull operator unit with the other hand.

## Installation

- For PL-Link wiring (topology, allowed cables and cable length), see the Desigo TRA installation guide, CM111043.
- Use the correct cables for the PL-Link bus
- Do not interchange the wires of the PL-Link cable.
  - The red terminal is for PL-Link +
  - The gray terminal is for PL-Link –
- Observe all local installation regulations.
- Use the earthing plate (quick slide connector) to connect an earthing cable in the conduit box (in case a switch or a mains plug is in the same conduit box).
- **The unit is not protected against accidental connection to AC 230 V.**
- The installing tube must be sealed or cold or hot air may enter the conduit box and cause faulty temperature readings by the internal sensor.



### Caution

## Prerequisite for commissioning

---

The room automation station must be running and an application must be loaded.

### Load application on the room automation station

The application is not loaded on the room operator unit, but the room automation station.  
Download of the application is done using the SSA-DNT (Pack & Go) or the ABT. For this purpose (or for service), connect the ABT to the room automation station (USB or Ethernet).

## Manual commissioning

---

All commissioning work is done via the PXC3... room automation station, using the SSA-DNT or the ABT.

The ABT is never connected directly to a room operator unit.

When more than one QXM3.P36... room operator unit is on the same trunk of the PL-Link bus, manual commissioning is done as follows:

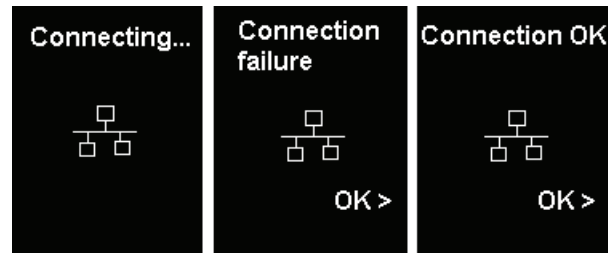


1. Connect the SSA-DNT or the ABT to the room automation station and activate the online commissioning function.
2. Load the web page "PL-Link identification".  
Activate the identification function.  
The room automation station now waits for a signal from the room operator unit.
3. On the room operator unit, simultaneously press the upper left and bottom right button for at least 5 seconds.
4. The page "System info" is displayed.  
Go to the network function page (last line)
5. Press "Prog. Mode" (first line).  
The display below "Prog. Mode" changes to "Enabled".  
The tool identifies the current room operator unit that is operated and assigns it.

After the device is commissioned, programming mode is automatically reset to "disabled". Note: Programming mode also resets to "disabled" each time the device restarts.

## Diagnostics

Press "Conn. Test" to test the PL-Link connection.  
A popup window shows the progress of the connection test:



## Reset to factory setting



**Note! This operation resets all user preference data and configuration settings to factory default. This operation is irreversible.**

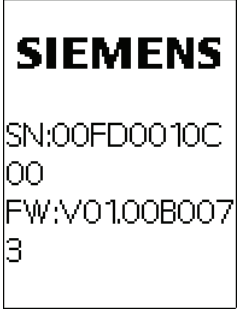
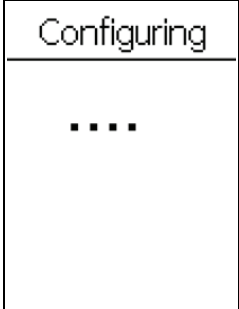
Press "Fact. Reset". The device is locked and reboots within 10 seconds. The room automation station deletes it from its device list. During this time, it is safe to remove the device from the network.


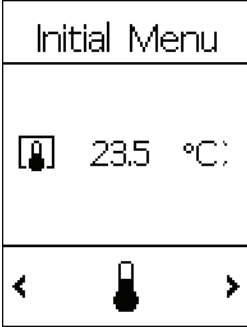
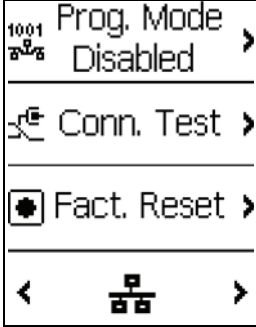
If the room operator unit is not unplugged, it acts like a newly inserted device requiring again automated or manual configuration.

## Commissioning (plug & play)

When only one room operator unit is connected to the PL-Link bus, the unit automatically establishes communications with the room automation station, from where the functions are downloaded to the room operator unit (plug & play).

The following routine is executed:

Step	Function	Description
1	<b>Splash screen</b> 	The unique serial number of the device is displayed below the company logo.
2	<b>Busy</b> 	<p>During configuration, 6 animated dots appear in the center of the screen to indicate the device is busy.</p> <p>This step is skipped if the device is already configured.</p> <p>Note: The configuration file can be downloaded any time; as a result, these dots are displayed every time the room automation station initializes download.</p>

Step	Function	Description
3	<b>Normal operation</b> 	After startup, the device goes to normal operation (example view; picture depends on application in room automation station).
4	<b>Configuration required</b>  	When configuration is faulty, the default page "Initial Menu" is displayed: temperature that is measured by the local temperature sensor along with a menu for network commissioning and diagnostics.

## Operating notes

Operation and display of the room operator unit depend on the control program on the room automation station.

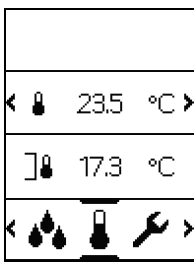


### Usability concept

The display has 4 lines to display information. Texts, icons, read-only data point information, or operable data point information can be displayed.

### Multi-page display with navigation

With a multi-page navigation-driven page set, the information usually is laid out in the following format:

- Line 1 Title/read-only data point information
- Line 2 Information  
Operable data point information (display or setpoint)  
Temperature, air quality, fan speed, etc.
- Line 3 Read-only / operable data point information
- Line 4 Information or navigation between several "pages"

	Info Operable Read-only Navigation		Info Operable Navigation		Info Operable Navigation
---	---	---	--------------------------------	---	--------------------------------

3 lines of information

List operation

Single-line operation

## Single-page display

With a single-page page set, information is usually laid out in the following format:



- Line 1 Title / read-only data point information
- Line 2 Operable data point information  
Temperature, air quality, fan speed, etc.
- Line 3 Read-only/operable data point information
- Line 4 Read-only/operable data point information



Example:

Title (empty), temperature setpoint, fan speed and room operating mode

## RoomOptiControl, Green Leaf

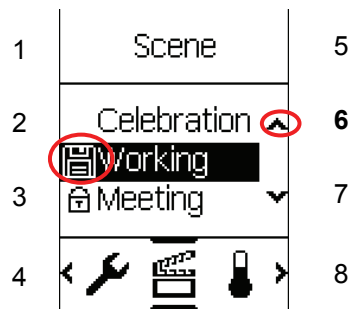
The leaf symbol  /  (green, red) at the top right of the device tells the user if the settings are energy-efficient or not.

Pressing the upper right key resets the application to energy-efficient parameter values



## Saving scenes

Save a changed scene by long pressing the key (approx. 3 sec).



### Notes

- A scene can only be saved if Scene Teaching is enabled in the application.
  - The key event to save a scene can be freely engineered.
- In the default page set, it is set to "long-press key 6" (the keys are numbered left top to bottom and then right top to bottom).

## Key lock



- Lock the buttons:  
Press button 6 6
- Unlock the buttons:  
Press buttons 2, 3 and 7 one after the other

## Status information

A list item provides status information:



- **Tick:** Indicates the current selection from the room automation station. A change from hourglass to tick indicates that the automation station has confirmed the modifications the user just made.
- **Hourglass:** Indicates the progress of the selected activity.
- **Lock:** Indicates locked entries that cannot be selected / enabled.
- **Floppy disk:** Is only used in scene saving, and will be displayed for 1 second, then go back to "Tick".

## Maintenance



### Note!

The device can be cleaned with off-the shelf, solvent-free cleaning agents. Do not use mechanical aids (rough sponge or similar materials) – only a soft, damp cloth.  
Dismounting: see page 5.

## Technical data

Supply voltage	Operating voltage range The room operator unit receives its power from the connected room automation station via the PL-Link interface	PL-Link DC 21...30 V
	Power consumption (from room automation station)	Max. 12.5 mA at DC 24 V
Operating data	Temperature sensor Measuring element Measuring range Measuring accuracy (5 ... 30 °C) Measuring accuracy (25 °C)	NTC resistance sensor 0...50 °C ±0.61 K ±0.35 K
Display	Type Information displayed depends on the application in the PXC3... room automation station	Dot matrix LCD, resolution 96 x 128 – Room temperature – Setpoint adjustment – Control mode – Manually selected fan speed – Control sequence – Scenes – etc.
Ports/interfaces	Type of port between room automation station and room operator unit Baud rate Standard KNX plug Cable type Single cable length (from room automation station to room operator unit) Cables must comply with KNX specifications, see TRA Installation manual, CM111043	PL-Link 9.6 kbps Wire diameter 0.8 mm, max. 1.0 mm (solid conductors only) Solid conductors 2-core, twisted pair <1000 m
Housing protection	Protection standard as per EN 60529	IP 30
Protection class	Insulation protection class	III

Ambient conditions	IEC 721	Normal operation	Transport
	Environmental conditions	Class 3K5?	Class 2K3?
	Temperature	0...50 °C	- 25...70 °C
	Humidity	< 85 % rh	< 95 % rh
	Mechanical conditions	Class 3M2	Class 2M2
Standards and directives	Automatic electronic controls for household and similar use	EN 60730-1	
	Electromagnetic compatibility		
	Immunity (industrial & domestic)	EN 60730-1	
	Emissions (domestic)	EN 60730-1	
	CE compliance		
	Meets requirements of EMC directive	2004/108/EC	
	UL compliance	UL916	
	CSA compliance	C22.2 No 205 – Signal equipment C22.2 No 0 – General Requirements	
	C-Tick conformity (EMC)	AS/NZS 61000-6-3	
	The product environmental declaration CM2E1601 contains data on environmentally compatible product design and assessments (RoHS compliance, materials composition, packaging, environmental benefit, disposal)	ISO 14001 (environment) ISO 9001 (quality) SN 36350 (environmentally compatible products)	
Color	Front housing	Titanium white similar to RAL9010	
	Weight	QMX3.P36F	QMX3.P36G
	Operator unit	50 g	50 g
	Bezel, base plate	32 g	63 g
	Packaging	44 g	54 g
	Total	126 g	167 g

## Connection terminals

PL-Link plug	+	Red	PL-Link (positive)
	-	Gray	PL-Link (negative)

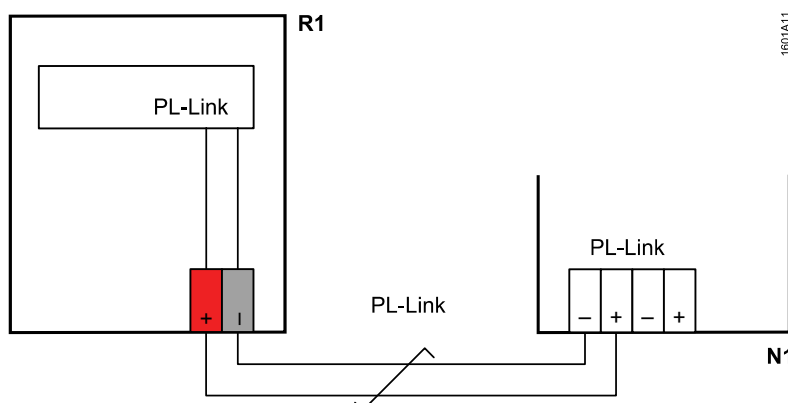


**Note!**

**Wires are NOT interchangeable!**

The device is protected against faulty wiring, but communications does not work on interchanged wires.

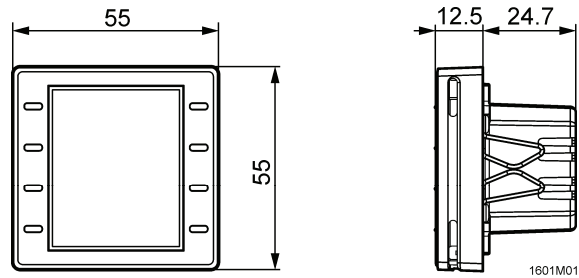
## Wiring diagrams



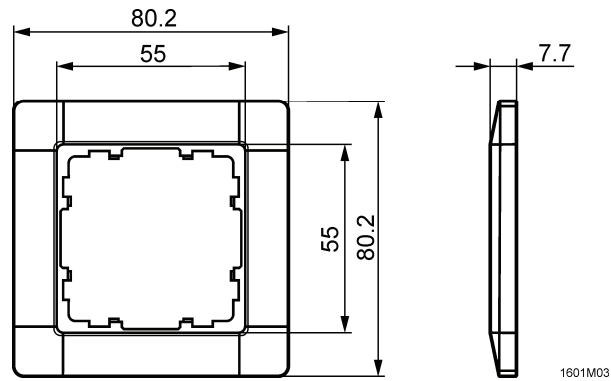
R1	QMX3.P36... room operator unit
N1	PXC3 series room automation station
	= Twisted pair

## Dimensions

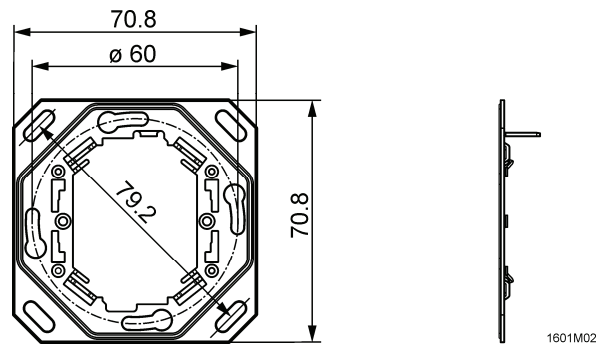
Operator unit



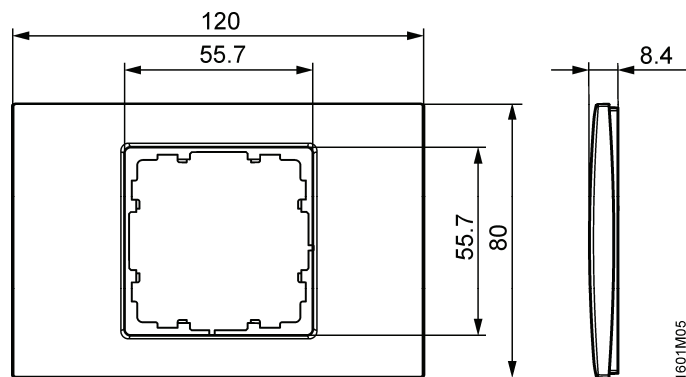
Bezel DELTA line  
(square)



Base plate square



Bezel similar to DELTA azio  
(rectangular)



Base plate rectangular

